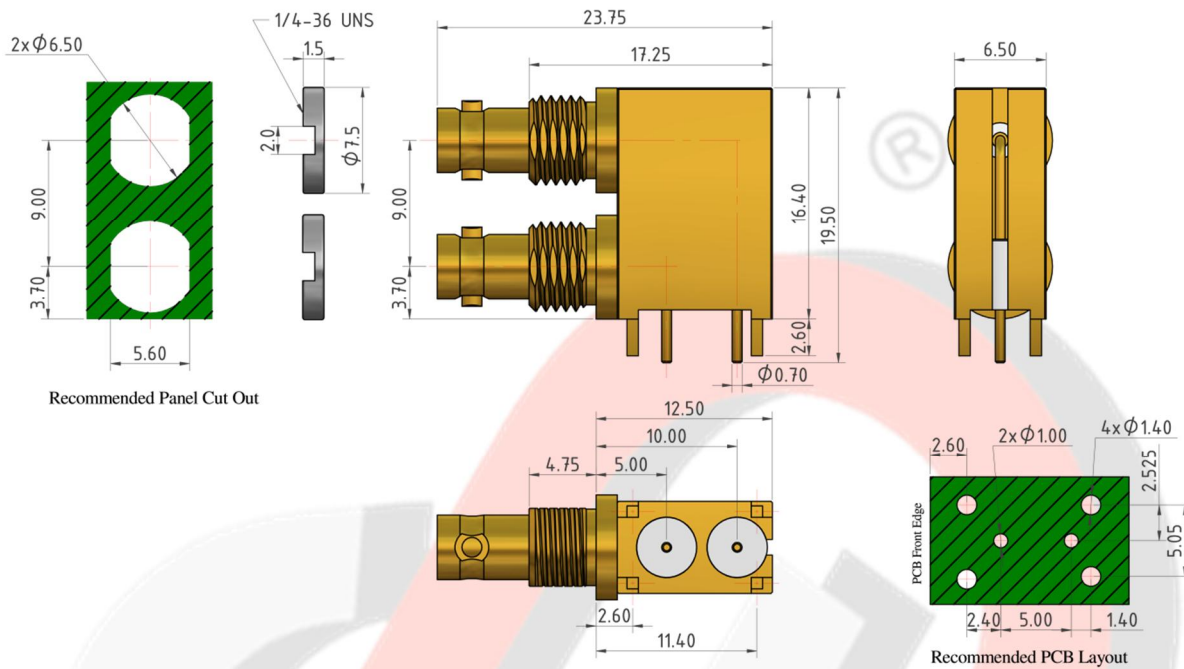


Part Number : 202-2105-P0

Description : Ultra Tiny BNC R/A Bulkhead Dual Jack, PCB Mount Type

Drawing :



Materials and Finishes

Body	Brass	Gold Plating
Interface	Brass	Gold Plating
Insulator	PTFE	None
Inner Contact	BeCu	Gold Plating
Round Nut	Brass	Nickel Plating

Technical Data

Electrical Data:

Impedance	75 Ω
Frequency Range	DC to 12 GHz
Isolation:	\geq -550 dB
Lower Stack / Insertion Loss :	\geq -.01 dB @ 0~6 GHz \geq -.017 dB @ 6~12 GHz
Lower Stack / Return Loss :	\geq 29.5 dB @ 0~12 GHz
Upper Stack / Insertion Loss :	\geq -.03 dB @ 0~6 GHz \geq -.032 dB @ 6~12 GHz

Upper Stack / Return Loss :	$\leq 23.5 \text{ dB @ 0-12 GHz}$
Voltage Rating	500 V rms.
Insulator Resistance	$\geq 5 \text{ G}\Omega$
Dielectric Withstanding Voltage	1000 V rms.
Contact Resistance	Inner Contact : $\leq 3 \text{ m}\Omega$ Outer Contact : $\leq 2.5 \text{ m}\Omega$

Mechanical Data :

Mating Bayonet Coupling

Environmental Data :

Temperature Range	-65 to 165 °C
Corrosion (Salt Spray)	MIL-STD-202, Method 101, Cond. B
Thermal Shock	MIL-STD-202, Method 107, Cond. B
Mechanical	MIL-STD-202, Method 213, Cond. I
Vibration	MIL-STD-202, Method 204, Cond. D
2011/65/EU (RoHS)	Compliant with Exemption 6(c)
REACH SVHC	Compliant (Based on The Latest SVHC Candidate List)

Misc. Information (Recommended)

Weight	11.81g
Packaging	Single Pack
Location of Manufacture	Taiwan

Revisions

ISS	Description	DATE
A	Original	2017/07/04

