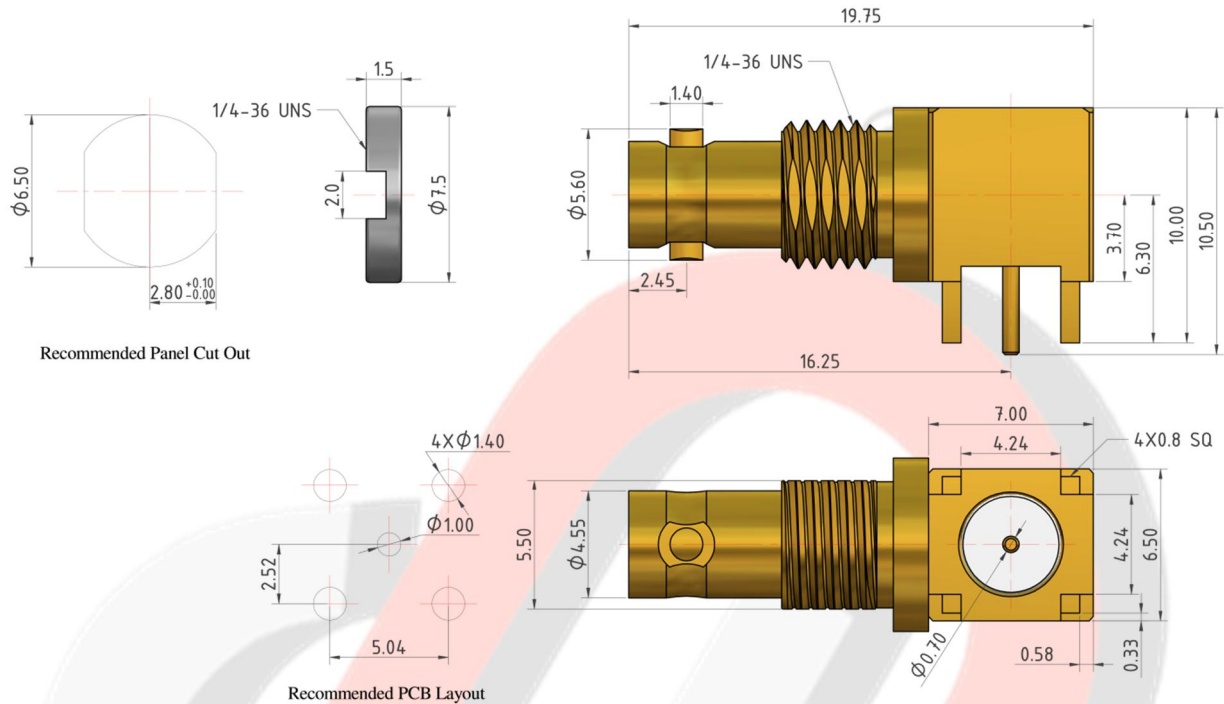


Part Number : 202-2103-P0

Description : Ultra Tiny BNC R/A Bulkhead Jack, PCB Mount Type

Drawing :



## Materials and Finishes

Body	Brass	Gold Plating
Interface	Brass	Gold Plating
Insulator	PTFE	None
Inner Contact	BeCu	Gold Plating
Round Nut	Brass	Nickel Plating

## Technical Data

Electrical Data:

Impedance	75 $\Omega$
Frequency Range	DC to 12 GHz
Voltage Rating	500 V rms. (Depending on Cable)
Insulator Resistance	$\geq 5 \text{ G}\Omega$
Dielectric Withstanding Voltage	1000 V rms.
Contact Resistance	Inner Contact : $\leq 3 \text{ m}\Omega$

Outer Contact :  $\leq 2.5 \text{ m}\Omega$ 

## Mechanical Data :

Mating

Bayonet Coupling

## Environmental Data :

Temperature Range

-65 to 165 °C

Corrosion (Salt Spray)

MIL-STD-202, Method 101, Cond. B

Thermal Shock

MIL-STD-202, Method 107, Cond. B

Mechanical

MIL-STD-202, Method 213, Cond. I

Vibration

MIL-STD-202, Method 204, Cond. D

2011/65/EU (RoHS)

Compliant with Exemption 6(c)

REACH SVHC

Compliant (Based on The Latest SVHC Candidate List)

Misc. Information (Recommended)

Weight

4.078g

Packaging

Single Pack

Location of Manufacture

Taiwan

## Revisions

ISS	Description	DATE
A	Original	2017/07/04

