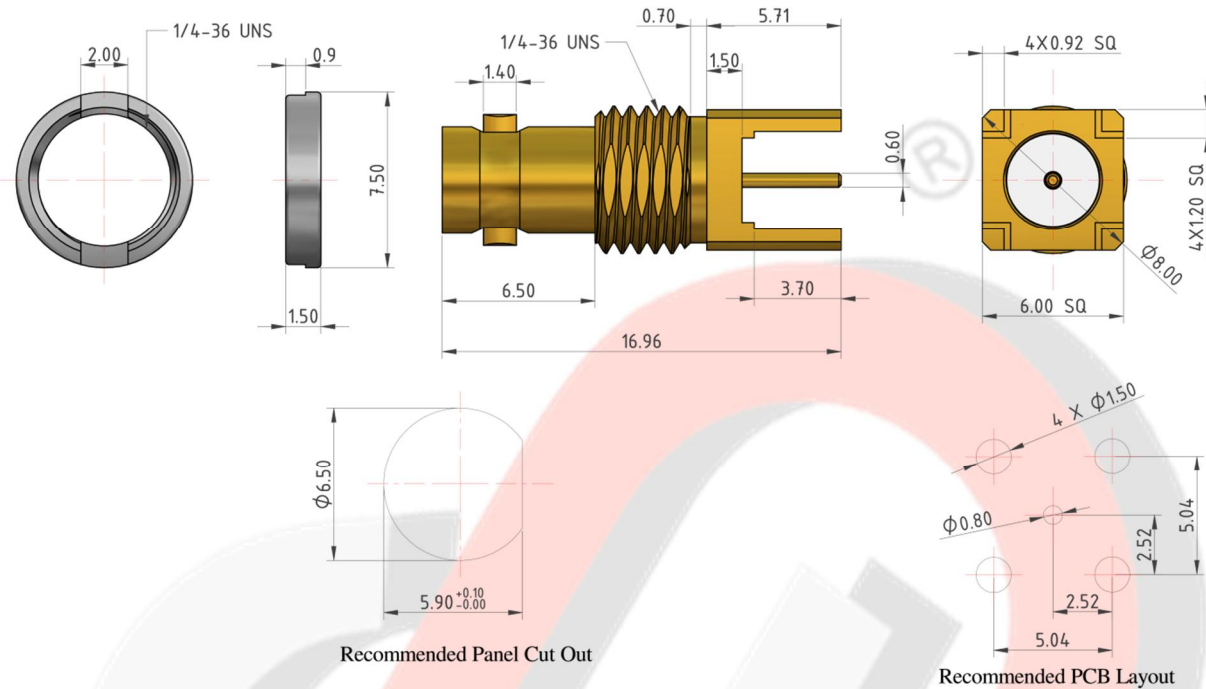


Part Number : 202-2102-P0

Description : Ultra Tiny BNC B/H Jack, PCB Mount Type

Drawing :



### Materials and Finishes

Body	Brass	Nickel Plating
Insulator	PTFE	None
Inner Contact	BeCu	Gold Plating
Round Nut	Brass	Nickel Plating

### Technical Data

Electrical Data:

Impedance	75 $\Omega$
Frequency Range	DC to 12 GHz
Voltage Rating	500 V rms. (Depending on Cable)
Insulator Resistance	$\geq 5 \text{ G}\Omega$
Dielectric Withstanding Voltage	1000 V rms.
Contact Resistance	Inner Contact : $\leq 3 \text{ m}\Omega$ Outer Contact : $\leq 2.5 \text{ m}\Omega$

**Mechanical Data :**

Mating Bayonet Coupling

**Environmental Data :**

Temperature Range	-65 to 165 °C
Corrosion (Salt Spray)	MIL-STD-202, Method 101, Cond. B
Thermal Shock	MIL-STD-202, Method 107, Cond. B
Mechanical	MIL-STD-202, Method 213, Cond. I
Vibration	MIL-STD-202, Method 204, Cond. D
2011/65/EU (RoHS)	Compliant with Exemption 6(c)
REACH SVHC	Compliant (Based on The Latest SVHC Candidate List)

**Misc. Information** (Recommended)

Weight	1.77g
Packaging	Single Pack
Location of Manufacture	Taiwan

## Revisions

ISS	Description	DATE
A	Original	2017/07/04

