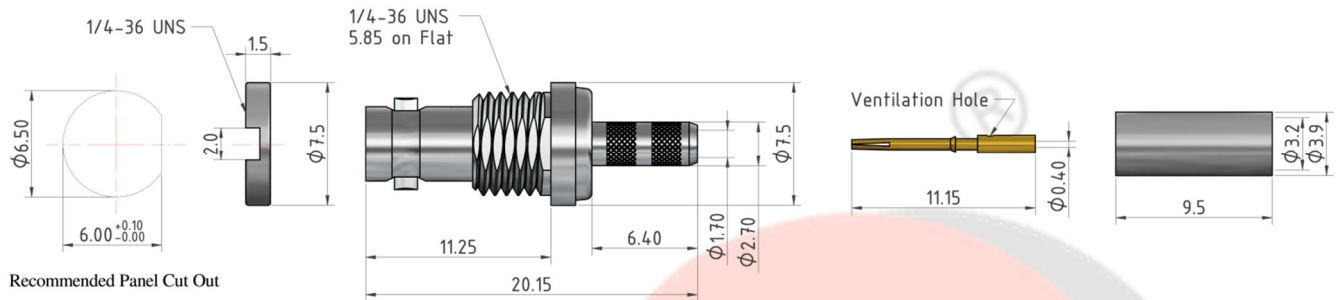


Part Number : 202-1104-C31-P0

Description : Ultra Tiny BNC Bulkhead Jack, Crimp Type for RG179 Cable

Drawing :



Materials and Finishes

Body	Brass	Nickel Plating
Insulator	PTFE	None
Inner Contact	BeCu	Gold Plating
Ferrule	Brass	Nickel Plating
Round Nut	Brass	Nickel Plating

Technical Data

Electrical Data:

Impedance	75 Ω
Frequency Range	DC to 12 GHz
Voltage Rating	500 V rms. (Depending on Cable)
Insulator Resistance	$\geq 5 \text{ G}\Omega$
Dielectric Withstanding Voltage	1000 V rms.
Contact Resistance	Inner Contact : $\leq 3 \text{ m}\Omega$ Outer Contact : $\leq 2.5 \text{ m}\Omega$

Mechanical Data :

Mating Bayonet Coupling

Environmental Data :

Temperature Range	-65 to 165 $^{\circ}\text{C}$
Corrosion (Salt Spray)	MIL-STD-202, Method 101, Cond. C

Thermal Shock	MIL-STD-202, Method 107, Cond. B
Mechanical	MIL-STD-202, Method 213, Cond. I
Vibration	MIL-STD-202, Method 204, Cond. D
2011/65/EU (RoHS)	Compliant with Exemption 6(c)
REACH SVHC	Compliant (Based on The Latest SVHC Candidate List)

Misc. Information (Recommended)

Cable Stripping Dimensions (Conductor/Dielectric/Braid)	3.5 / 0.5 / 7.5 mm	
Assembling Method	Inner Contact	Solder or Crimp (SQ .037")
	Ferrule	Crimp (HEX .133")
Recommended Hand Tool	Inner Contact	N/A
	Ferrule	HT-909M
Cable Group	RG179	
Weight	2.49g	
Packaging	Single Pack	
Location of Manufacture	Taiwan	

Revisions

ISS	Description	DATE
A	Original	2017/07/04

