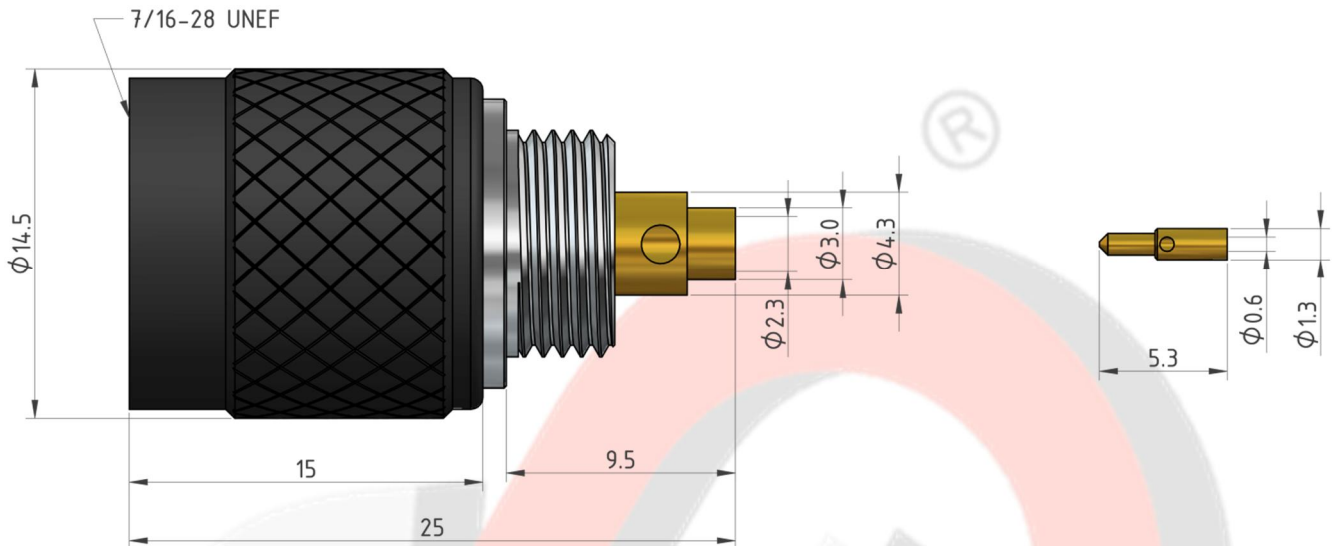


Part Number : 121-4119-C17-WP3

Description : TNC Straight Plug, Solder Type for RG405 Cable (Waterproof)

Drawing :



### Materials and Finishes

Shell	Brass	Black Chrome Plating
Body	Brass	Nickel Plating
Insulator	PTFE	None
Inner Contact	P. Bronze	Gold Plating
Center Contact	Brass	Gold Plating
Rear Mandril	Brass	Gold Plating

### Technical Data

Electrical Data:

Impedance	50 $\Omega$
Frequency Range	DC to 11 GHz
Voltage Rating	500 V rms. (Depending on Cable)
Insulator Resistance	$\geq 5 \text{ G}\Omega$
Dielectric Withstanding Voltage	1500 V rms.
Contact Resistance	Inner Contact : $\leq 3 \text{ m}\Omega$ Outer Contact : $\leq 2.5 \text{ m}\Omega$

Mechanical Data :

Mating 7/16-28 UNEF Screw-on Coupling  
 Recommended Mating Torque : 4.1~6.1 lbs  
 Coupling Nut Retention Force :  $\geq 101.2$  lbs

**Environmental Data :**

Temperature Range -65 to 165 °C  
 Corrosion (Salt Spray) MIL-STD-202, Method 101, Cond. B  
 Thermal Shock MIL-STD-202, Method 107, Cond. B  
 Mechanical MIL-STD-202, Method 213, Cond. G  
 Vibration MIL-STD-202, Method 204, Cond. B  
 2011/65/EU (RoHS) Compliant with Exemption 6(c)  
 REACH SVHC Compliant (Based on The Latest SVHC Candidate List)

**Misc. Information** (Recommended)

Cable Stripping Dimensions 2.8 / 4.2 mm

(Conductor/Dielectric)

Assembling Method	Inner Contact	Solder
	Rear Mandril	Solder

Cable Group RG-405

Weight 15.96g

Packaging Single Pack

Location of Manufacture Taiwan

## Revisions

ISS	Description	DATE
A	Original	2017/07/04