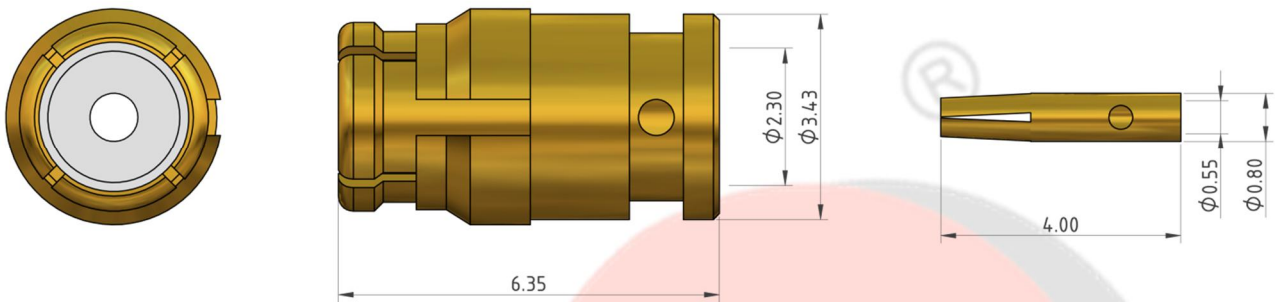


Part Number : 182-2102-C17

Description : SMP S/T Jack, Solder Type for RG405 Cable

Drawing :



Materials and Finishes

Body	Brass	5 μ" Gold Plating
Insulator	PTFE	None
Inner Contact	BeCu	30 μ" Gold Plating
Ring	BeCu	5 μ" Gold Plating

Technical Data

Electrical Data:

Impedance	50 Ω
Frequency Range	DC to 40 GHz
Voltage Rating	500 V rms. (Depending on Cable)
Insulator Resistance	≥ 5 GΩ
Dielectric Withstanding Voltage	5000 V rms.
Contact Resistance	Inner Contact : ≤ 6 mΩ Outer Contact : ≤ 2.5 mΩ

Mechanical Data :

Mating Snap-on Coupling

Environmental Data :

Temperature Range	-65 to 165 °C
Corrosion (Salt Spray)	MIL-STD-202, Method 101, Cond. B

Thermal Shock	MIL-STD-202, Method 107, Cond. B
Mechanical	MIL-STD-202, Method 213, Cond. I
Vibration	MIL-STD-202, Method 204, Cond. D
2011/65/EU (RoHS)	Compliant with Exemption 6(c)
REACH SVHC	Compliant (Based on The Latest SVHC Candidate List)

Misc. Information (Recommended)

Cable Stripping Dimensions 1.2 / 0.5mm
(Conductor/Dielectric)

Assembling Method	Inner Contact	Solder
	Mandril	Solder

Cable Group RG405 Cable

Weight 0.226g

Packaging Single Pack

Location of Manufacture Taiwan

Revisions

ISS	Description	DATE
A	Original	2017/07/04

