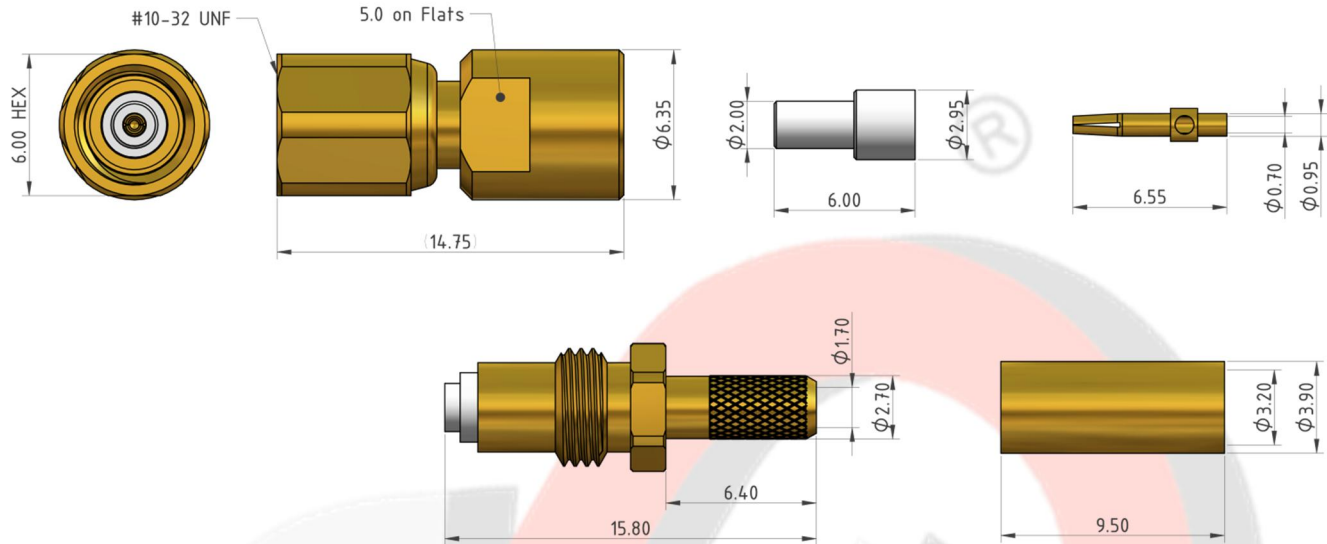


Part Number : 231-2106-C06

Description : SMC S/T Plug, Single Crimp Type for RG174, 188, 316, B7805, LMR100, URM95 Cable

Drawing :



Materials and Finishes

Shell	Brass	Gold Plating
Body	Brass	Gold Plating
Insulator	PTFE	None
Inner Contact	BeCu	10u"Gold Plating
Rear Mandril	Brass	Gold Plating
Ferrule	Brass	Gold Plating

Technical Data

Electrical Data:

Impedance	50 Ω
Frequency Range	DC to 10 GHz
Voltage Rating	335 V rms.
Insulator Resistance	$\geq 1 \text{ G}\Omega$
Dielectric Withstanding Voltage	1000 V rms.
Contact Resistance	Inner Contact : $\leq 3 \text{ m}\Omega$ Outer Contact : $\leq 2.5 \text{ m}\Omega$

Mechanical Data :

Mating	#10-32 UNF Screw-on Coupling
Recommended Torque	≦ 30 N.cm (Mating)
Recommended Torque	≦ 70 N.cm (Clamp Nut)

Environmental Data :

Temperature Range	-65 to 165 °C
Corrosion (Salt Spray)	MIL-STD-202, Method 101, Cond. B
Thermal Shock	MIL-STD-202, Method 107, Cond. B
Mechanical	MIL-STD-202, Method 213, Cond. B
Vibration	MIL-STD-202, Method 204, Cond. D
2011/65/EU (RoHS)	Compliant with Exemption 6(c)
REACH SVHC	Compliant (Based on The Latest SVHC Candidate List)

Misc. Information (Recommended)

Cable Stripping Dimensions (Conductor/Dielectric/Braid)	2.2 / 9.0 / 5.6 mm	
Assembling Method	Inner Contact	Solder or Crimp (HEX .028")
	Ferrule	Crimp (HEX .133")
Recommended Hand Tool	Inner Contact	
	Ferrule	HT-909M
Cable Group	RG174, 188, 316, B7805, LMR100, URM95	
Weight	3.33g	
Packaging	Single Pack	
Location of Manufacture	Taiwan	

Revisions

ISS	Description	DATE
A	Original	2017/07/04

