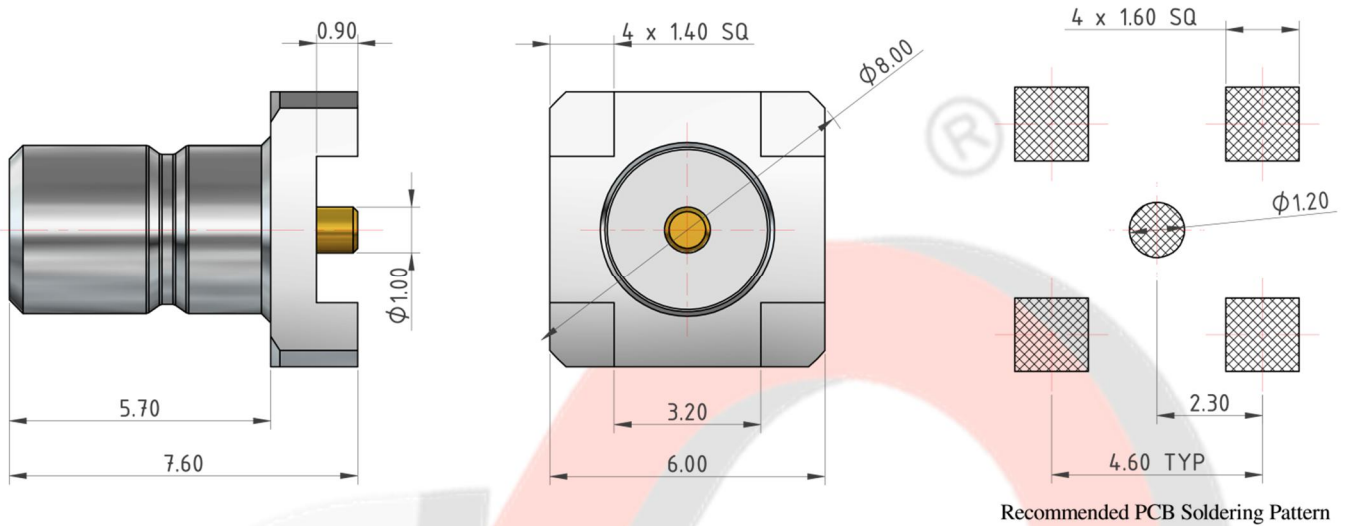


Part Number : 062-1110-P0

Description : SMB S/T Jack, SMT Type

Drawing :



Materials and Finishes

Body	Brass	Nickel Plating
Insulator	PTFE	None
Inner Contact	Brass	Gold Plating

Technical Data


Electrical Data:

Impedance	50 Ω
Frequency Range	DC to 4 GHz
Voltage Rating	250 V rms.
Insulator Resistance	$\geq 1 \text{ G}\Omega$
Dielectric Withstanding Voltage	750 V rms.
Contact Resistance	Inner Contact : $\leq 5 \text{ m}\Omega$ Outer Contact : $\leq 2.5 \text{ m}\Omega$

Mechanical Data :

Mating	Snap-on Coupling
Engagement Force	$\leq 14.2 \text{ lbs}$
Disengagement Force	$\leq 18 \sim 14.2 \text{ lbs}$

Environmental Data :

Temperature Range	-65 to 165 °C
Corrosion (Salt Spray)	MIL-STD-202, Method 101, Cond. B
Thermal Shock	MIL-STD-202, Method 107, Cond. B
Mechanical	MIL-STD-202, Method 213, Cond. B
Vibration	MIL-STD-202, Method 204, Cond. D
2011/65/EU (RoHS)	Compliant with Exemption 6(c) 
REACH SVHC	Compliant (Based on The Latest SVHC Candidate List)

Misc. Information (Recommended)

Weight	0.58g
Packaging	Single Pack
Location of Manufacture	Taiwan

Revisions

ISS	Description	DATE
A	Original	2017/07/04

