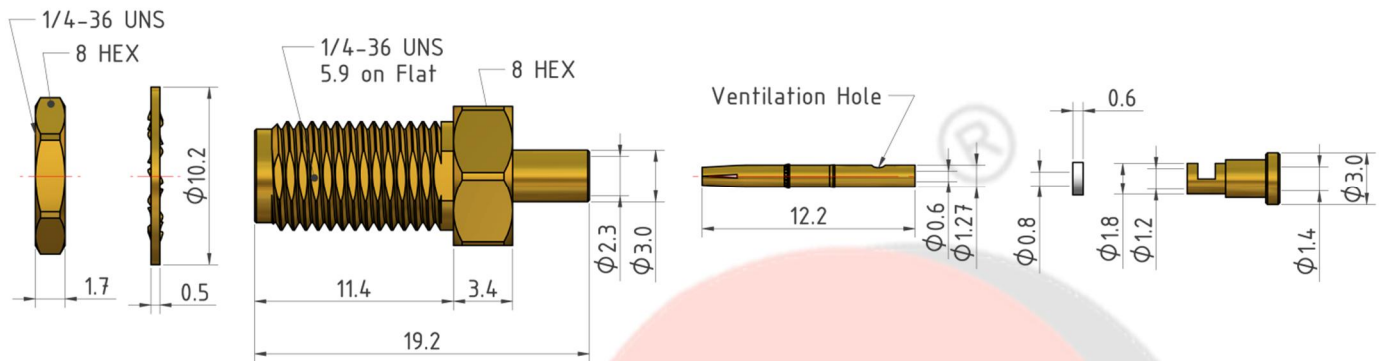


Part Number : 012-2168-C03-P6

Description : SMA Bulkhead Jack, Crimp Type for 1.32 Cable

Drawing :



Materials and Finishes

Body	Brass	Gold Plating
Insulator	PTFE	None
Inner Contact	BeCu	10u" Gold Plating
Bushing	PTFE	None
Inner Tube	Brass	Gold Plating

Technical Data

Electrical Data:

Impedance	50 Ω
Frequency Range	DC to 12.4 GHz
Voltage Rating	500 V rms. (Depending on Cable)
Insulator Resistance	≥ 5 GΩ
Dielectric Withstanding Voltage	1000 V rms.
Contact Resistance	Inner Contact : ≤ 3 mΩ Outer Contact : ≤ 2.5 mΩ

Mechanical Data :

Mating	1/4-36 UNS Screw-on Coupling
Recommended Mating Torque	7.1 ~ 9.7 lbs
Coupling Nut Retention Force	≥ 60.7 lbs

Environmental Data :

Temperature Range	-65 to 165 °C
Corrosion (Salt Spray)	MIL-STD-202, Method 101, Cond. B
Thermal Shock	MIL-STD-202, Method 107, Cond. B
Mechanical	MIL-STD-202, Method 213, Cond. I
Vibration	MIL-STD-202, Method 204, Cond. D
2011/65/EU (RoHS)	Compliant with Exemption 6(c)
REACH SVHC	Compliant (Based on The Latest SVHC Candidate List)

Misc. Information (Recommended)

Cable Stripping Dimensions (Conductor/Dielectric/Braid)	2.5 / 0.7 / 2.6 mm	
Assembling Method	Inner Contact Mandril	Solder or Crimp (SQ .036" or HEX .043") Crimp (HEX .100")
Recommended Hand Tool	Inner Contact Mandril	N/A HT-909M
Cable Group	1.32 Cable	
Weight	4.31g	
Packaging	Single Pack	
Location of Manufacture	Taiwan	