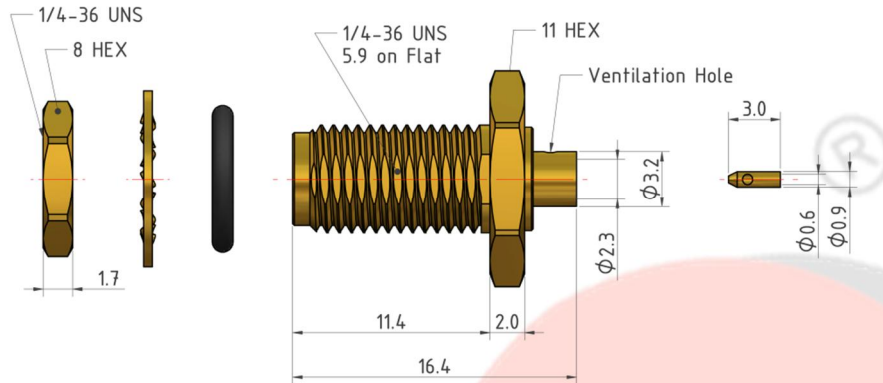


Part Number : 012-2127-C17-WP3

Description : SMA Bulkhead w/O-Ring Jack, Solder Type for RG405 (Waterproof)

Drawing :



Materials and Finishes

Body	Brass	Gold Plating
Insulator	PTFE	None
Inner Contact	P. Bronze	Gold Plating
Center Contact	Brass	Gold Plating
O-Ring	NBR	Black
Lock Washer	Brass	Gold Plating
Nut	Brass	Gold Plating

Technical Data


Electrical Data:

Impedance	50 Ω
Frequency Range	DC to 18 GHz
Voltage Rating	500 V rms. (Depending on Cable)
Insulator Resistance	≥ 5 GΩ
Dielectric Withstanding Voltage	1000 V rms.
Contact Resistance	Inner Contact : ≤ 3 mΩ Outer Contact : ≤ 2.5 mΩ

Mechanical Data :

Mating	1/4-36 UNS Screw-on Coupling
Recommended Mating Torque	7.1 ~ 9.7 lbs
Coupling Nut Retention Force	≥ 60.7 lbs

Environmental Data :

Temperature Range	-65 to 165 °C
Corrosion (Salt Spray)	MIL-STD-202, Method 101, Cond. B
Thermal Shock	MIL-STD-202, Method 107, Cond. B
Mechanical	MIL-STD-202, Method 213, Cond. I
Vibration	MIL-STD-202, Method 204, Cond. D 
2011/65/EU (RoHS)	Compliant with Exemption 6(c)
REACH SVHC	Compliant (Based on The Latest SVHC Candidate List)

Misc. Information (Recommended)

Cable Stripping Dimensions (Conductor/Dielectric/Braid)	2.0 / 1.0 mm	
Assembling Method	Inner Contact Mandril	Solder Solder
Cable Group	.086 / RG-405	
Weight	3.858 g	
Packaging	Single Pack	
Location of Manufacture	Taiwan	