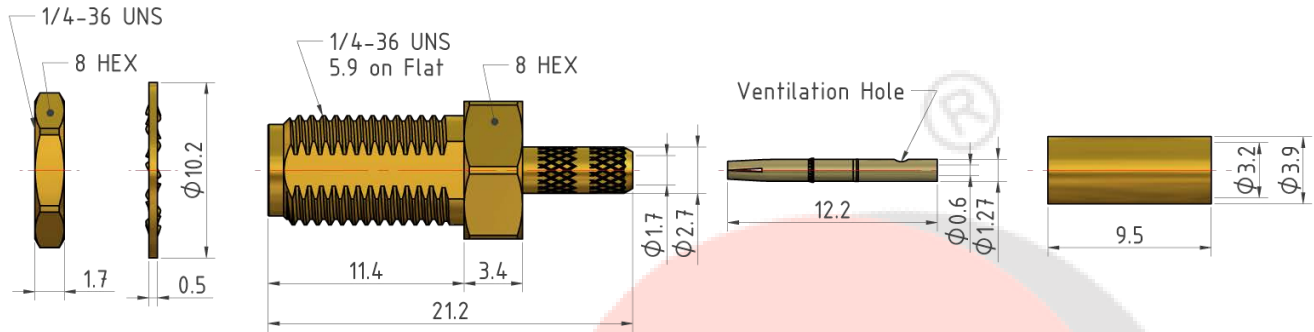


Part Number : 012-2104-C06

Description : SMA Bulkhead Jack, Crimp Type for RG316

Drawing :



Materials and Finishes

Body	Brass	Gold Plating
Insulator	PTFE	None
Inner Contact	BeCu	10u" Gold Plating
Ferrule	Brass	Gold Plating
Lock Washer	Brass	Gold Plating
Nut	Brass	Gold Plating

Technical Data

Electrical Data:

Impedance	50 Ω
Frequency Range	DC to 12.4 GHz
Voltage Rating	500 V rms. (Depending on Cable)
Insulator Resistance	$\geq 5 \text{ G}\Omega$
Dielectric Withstanding Voltage	1000 V rms.
Contact Resistance	Inner Contact : $\leq 3 \text{ m}\Omega$ Outer Contact : $\leq 2.5 \text{ m}\Omega$

Mechanical Data :

Mating	1/4-36 UNS Screw-on Coupling
Recommended Mating Torque	7.1 ~ 9.7 lbs
Coupling Nut Retention Force	$\geq 60.7 \text{ lbs}$

Environmental Data :

Temperature Range	-65 to 165 °C
Corrosion (Salt Spray)	MIL-STD-202, Method 101, Cond. B
Thermal Shock	MIL-STD-202, Method 107, Cond. B
Mechanical	MIL-STD-202, Method 213, Cond. I
Vibration	MIL-STD-202, Method 204, Cond. D
2011/65/EU (RoHS)	Compliant with Exemption 6(c)
REACH SVHC	Compliant (Based on The Latest SVHC Candidate List)

Misc. Information (Recommended)

Cable Stripping Dimensions (Conductor/Dielectric/Braid)	2.5 / 1.5 / 6.5 mm	
Assembling Method	Inner Contact	Solder or Crimp (SQ .036" or HEX .043")
	Ferrule	Crimp (HEX .133")
Recommended Hand Tool	Inner Contact	N/A
	Ferrule	HT-909M
Cable Group	RG-174 / RG-188 / RG-316 / LMR-100 / 1.5D-2V	
Weight	4.22 g	
Packaging	Single Pack	
Location of Manufacture	Taiwan	