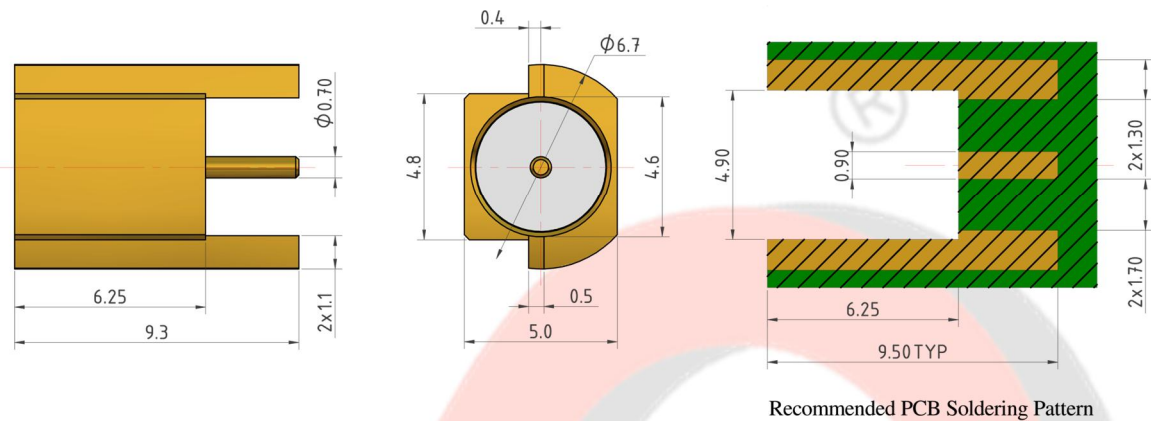


Part Number : 052-2136

Description : MCX Straight Jack, Edge Mount Type

Drawing :



Materials and Finishes

Body	Brass	Gold Plating
Insulator	PTFE	None
Inner Contact	BeCu	Gold Plating

Technical Data


Electrical Data:

Impedance	75 Ω
Frequency Range	DC to 6 GHz
Voltage Rating	335 V rms. (Depending on Cable)
Insulator Resistance	$\geq 1 \text{ G}\Omega$
Dielectric Withstanding Voltage	750 V rms.
Contact Resistance	Inner Contact : $\leq 5.0 \text{ m}\Omega$ Outer Contact : $\leq 10.0 \text{ m}\Omega$

Mechanical Data :

Mating	Snap-on Coupling
Connector Durability	≥ 500 Cycles
Engagement Force	≤ 3.4 lbs
Disengagement Force	1.4~3.4 lbs
Cable Retention Force	≥ 12.1 lbs

Environmental Data :

Temperature Range	-55 to 165 °C
Corrosion (Salt Spray)	MIL-STD-202, Method 101, Cond. C
Thermal Shock	MIL-STD-202, Method 107, Cond. B
Mechanical	MIL-STD-202, Method 213, Cond. F
Vibration	MIL-STD-202, Method 204, Cond. B 
2011/65/EU (RoHS)	Compliant with Exemption 6(c)
REACH SVHC	Compliant (Based on The Latest SVHC Candidate List)

Misc. Information (Recommended)

Weight	1.06g
Packaging	Single Pack
Location of Manufacture	Taiwan

Revisions

ISS	Description	DATE
A	Original	2017/07/04

--	--	--

