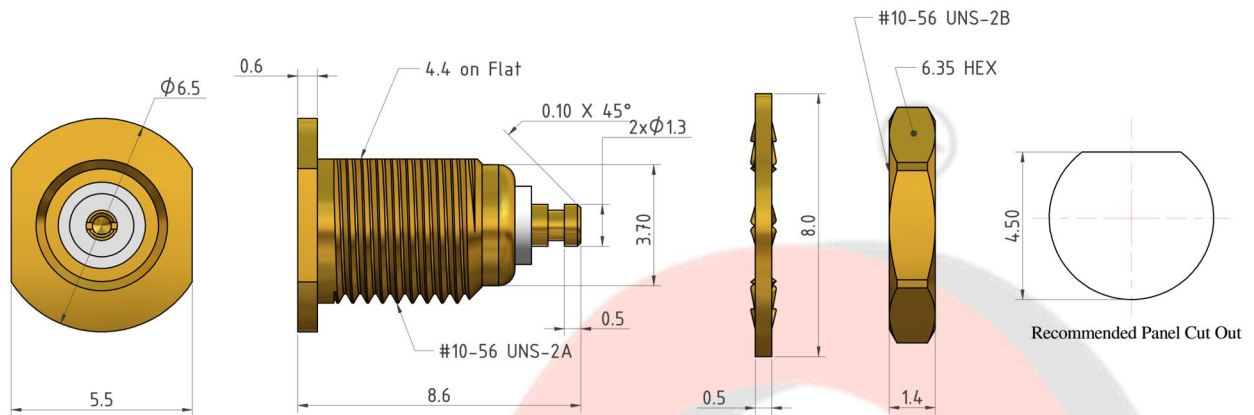


Part Number : 052-2105

Description : MCX Bulkhead Jack, Receptacle

Drawing :



Materials and Finishes

Body	Brass	Gold Plating
Insulator	PTFE	None
Inner Contact	P. Bronze	Gold Plating
Lock Washer	Brass	Gold Plating
Nut	Brass	Gold Plating

Technical Data

Electrical Data:

Impedance	50 Ω
Frequency Range	DC to 6 GHz
Voltage Rating	335 V rms. (Depending on Cable)
Insulator Resistance	$\geq 1 \text{ G}\Omega$
Dielectric Withstanding Voltage	750 V rms.
Contact Resistance	Inner Contact : $\leq 5.0 \text{ m}\Omega$ Outer Contact : $\leq 10.0 \text{ m}\Omega$

Mechanical Data :

Mating	Snap-on Coupling
Connector Durability	≥ 500 Cycles
Engagement Force	≤ 3.4 lbs

