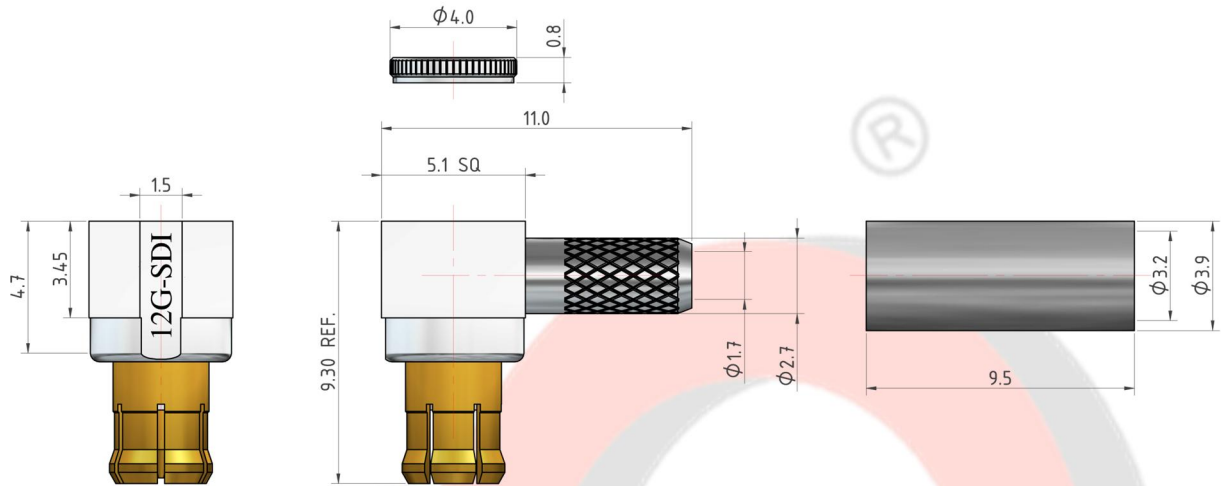


Part Number : 051-1102-C31-P0

Description : 12G SDI MCX Right Angle Plug, Crimp Type for RG179, 179DT, UHD-179 Cable, 75 Ohm

Drawing :



Materials and Finishes

Outer Contact	BeCu	Gold Plating
Body	Brass	Nickel Plating
Insulator	PTFE	None
Inner Contact	Brass	Gold Plating
Ferrule	Brass	Nickel Plating
Cap	Brass	Nickel Plating

Technical Data

Electrical Data:

Impedance	75 Ω
Frequency Range	DC to 12 GHz
Voltage Rating	335 V rms. (Depending on Cable)
Insulator Resistance	≥ 1 GΩ
Dielectric Withstanding Voltage	750 V rms.
Contact Resistance	Inner Contact : ≤ 5.0 mΩ Outer Contact : ≤ 10.0 mΩ

Mechanical Data :

Mating Snap-on Coupling

Connector Durability	≥ 500 Cycles
Engagement Force	≤ 3.4 lbs
Disengagement Force	1.4~3.4 lbs
Cable Retention Force	≥ 12.1 lbs

Environmental Data :

Temperature Range	-55 to 165 °C
Corrosion (Salt Spray)	MIL-STD-202, Method 101, Cond. C
Thermal Shock	MIL-STD-202, Method 107, Cond. B
Mechanical	MIL-STD-202, Method 213, Cond. F
Vibration	MIL-STD-202, Method 204, Cond. B
2011/65/EU (RoHS)	Compliant with Exemption 6(c)
REACH SVHC	Compliant (Based on The Latest SVHC Candidate List)

Misc. Information (Recommended)

Cable Stripping Dimensions	2.0 / 1.5 / 5.5 mm
----------------------------	--------------------

(Conductor/Dielectric/Braid)

Assembling Method	Inner Contact	Solder
	Ferrule	Crimp (HEX .128")

Recommended Hand Tool	Ferrule	HT-909M
-----------------------	---------	---------

Cable Group	RG179, 179DT, UHD-179
-------------	-----------------------

Weight	1.21g
--------	-------

Packaging	Single Pack
-----------	-------------

Location of Manufacture	Taiwan
-------------------------	--------

Revisions

ISS	Description	DATE
A	Original	2017/07/04

