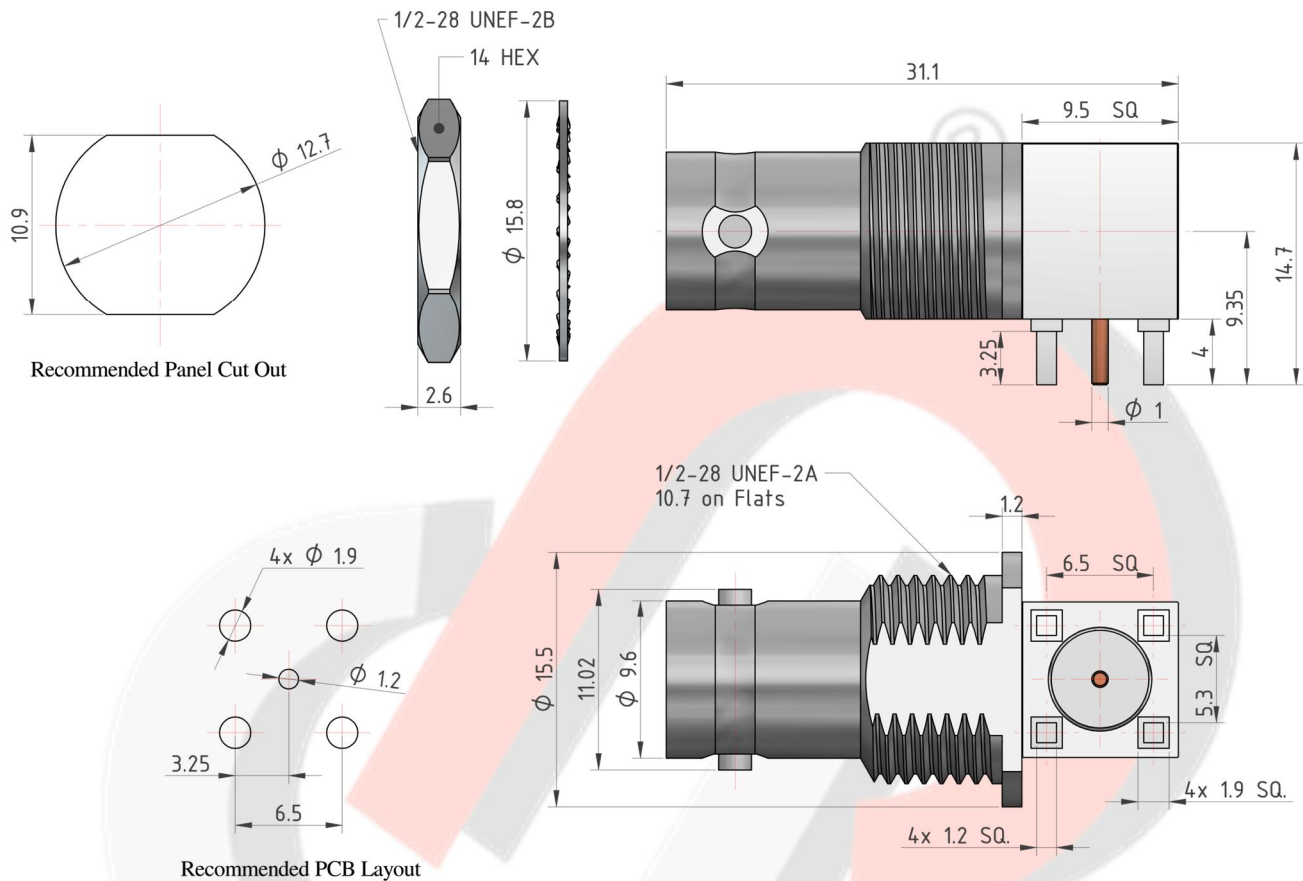


Part Number : 212-1156-P0

Description : 12G SDI BNC R/A Bulkhead Jack, PCB Mount Type

Drawing :



## Materials and Finishes

Body	Brass	Nickel Plating
Insulator	PTFE	None
Inner Contact	P. Bronze	Gold Plating
Lock Washer	Steel	Nickel Plating
Nut	Brass	Nickel Plating

## Technical Data

Electrical Data:

Impedance

75  $\Omega$

Frequency Range

DC to 12 GHz

Voltage Rating

500 V rms. (Depending on Cable)

Insulator Resistance	$\geq 5 \text{ G}\Omega$
Dielectric Withstanding Voltage	1500 V rms.
Contact Resistance	Inner Contact : $\leq 3 \text{ m}\Omega$ Outer Contact : $\leq 2.5 \text{ m}\Omega$
VSWR	0~10 GHz $\leq 1.20$ 10~12 GHz $\leq 1.35$

## Mechanical Data :

Mating	Bayonet Coupling
Engagement Force :	0.6~2.5 lbs

## Environmental Data :

Temperature Range	-65 to 165 °C
Corrosion (Salt Spray)	MIL-STD-202, Method 101, Cond. C
Thermal Shock	MIL-STD-202, Method 107, Cond. B
Mechanical	MIL-STD-202, Method 213, Cond. I
Vibration	MIL-STD-202, Method 204, Cond. D
2011/65/EU (RoHS)	Compliant with Exemption 6(c)
REACH SVHC	Compliant (Based on The Latest SVHC Candidate List)

Misc. Information (Recommended)

Weight	19.57g
Packaging	Single Pack
Location of Manufacture	Taiwan