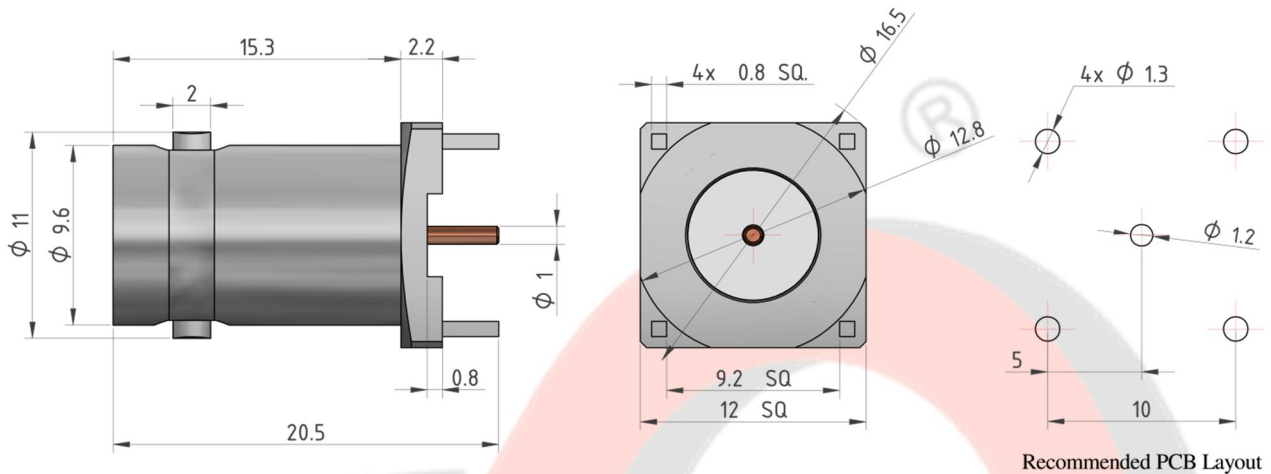


Part Number : 212-1107-P0

Description : 12G SDI BNC Straight Jack, PCB Mount Type

Drawing :



Materials and Finishes

Body	Brass	Nickel Plating
Insulator	PTFE	None
Inner Contact	P. Bronze	Gold Plating

Technical Data


Electrical Data:

Impedance	75 Ω
Frequency Range	DC to 12 GHz
Voltage Rating	500 V rms. (Depending on Cable)
Insulator Resistance	$\geq 5 \text{ G}\Omega$
Dielectric Withstanding Voltage	1500 V rms.
Contact Resistance	Inner Contact : $\leq 1.5 \text{ m}\Omega$ Outer Contact : $\leq 1 \text{ m}\Omega$

Mechanical Data :

Mating	Bayonet Coupling
Engagement Force :	0.6~2.5 lbs

Environmental Data :

Temperature Range	-65 to 165 °C
Corrosion (Salt Spray)	MIL-STD-202, Method 101, Cond. C
Thermal Shock	MIL-STD-202, Method 107, Cond. B
Mechanical	MIL-STD-202, Method 213, Cond. I
Vibration	MIL-STD-202, Method 204, Cond. D
2011/65/EU (RoHS)	Compliant with Exemption 6(c) 
REACH SVHC	Compliant (Based on The Latest SVHC Candidate List)

Misc. Information (Recommended)

Weight	5.87g
Packaging	Single Pack
Location of Manufacture	Taiwan