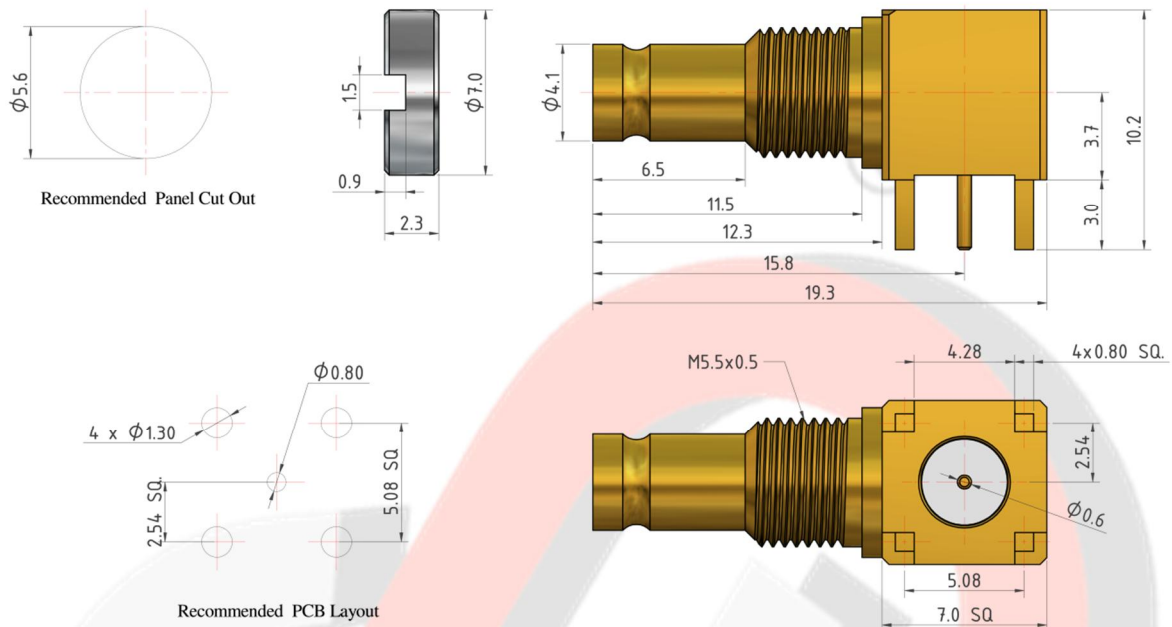


Part Number : 092-2104-P0

Description : 1.0/2.3 R/A Bulkhead Jack, PCB Mount Type

Drawing :



## Materials and Finishes

Body	Brass	Gold Plating
Insulator	PTFE	None
Inner Contact	BeCu	Gold Plating
Round Nut	Brass	Nickel Plating

## Technical Data

### Electrical Data:

Impedance	75 $\Omega$
Frequency Range	DC to 6 GHz
Voltage Rating	500 V rms.
Insulator Resistance	$\geq 5 \text{ G}\Omega$
Dielectric Withstanding Voltage	1000 V rms.
Contact Resistance	Inner Contact : $\leq 3 \text{ m}\Omega$ Outer Contact : $\leq 2.5 \text{ m}\Omega$

### Mechanical Data :

Mating: Screw-on / Slide-on / Quick-Lock

Coupling. (depend on Plug)

Environmental Data :

Temperature Range	-45 to 85 °C
Corrosion (Salt Spray)	MIL-STD-202, Method 101, Cond. B
Thermal Shock	MIL-STD-202, Method 107, Cond. B
Mechanical	MIL-STD-202, Method 213, Cond. B
Vibration	MIL-STD-202, Method 204, Cond. A
2011/65/EU (RoHS)	Compliant with Exemption 6(c)
REACH SVHC	Compliant (Based on The Latest SVHC Candidate List)

Misc. Information (Recommended)

Weight	3.80g
Packaging	Single Pack
Location of Manufacture	Taiwan

Revisions

ISS	Description	DATE
A	Original	2017/07/04

