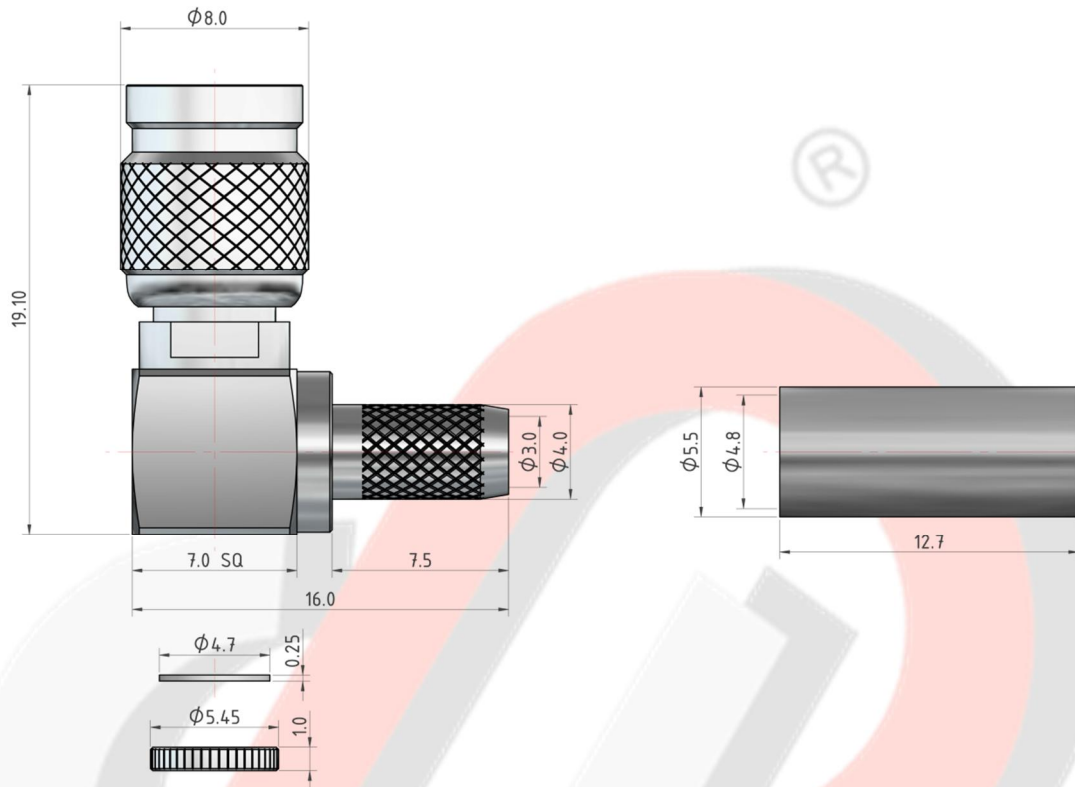


Part Number : 091-1106-C32

Description : 1.0/2.3 S/T R/A Plug, Crimp Type for B1855A; B4855R; UHD-0.6/2.6

Drawing :



Materials and Finishes

Shell	Brass	Nickel Plating
Outer Contact	P. Bronze	Gold Plating
Body	Brass	Nickel Plating
Insulator	PTFE	None
Inner Contact	BeCu	Gold Plating
Ferrule	Brass	Nickel Plating
Spacer	Delrin	None
Cap	Brass	Nickel Plating

Technical Data

Electrical Data:

Impedance

75 Ω

Frequency Range

DC to 6 GHz

Voltage Rating	500 V rms. (Depending on Cable)
Insulator Resistance	$\geq 5 \text{ G}\Omega$
Dielectric Withstanding Voltage	1000 V rms.
Contact Resistance	Inner Contact : $\leq 3 \text{ m}\Omega$ Outer Contact : $\leq 2.5 \text{ m}\Omega$

Mechanical Data :

Mating:	Quick-Lock Coupling.
Cable Retention Force:	$\geq 30 \text{ lbs.}$
Environmental Data :	
Temperature Range	-45 to 85 °C
Corrosion (Salt Spray)	MIL-STD-202, Method 101, Cond. C
Thermal Shock	MIL-STD-202, Method 107, Cond. B
Mechanical	MIL-STD-202, Method 213, Cond. B
Vibration	MIL-STD-202, Method 204, Cond. A
2011/65/EU (RoHS)	Compliant with Exemption 6(c)
REACH SVHC	Compliant (Based on The Latest SVHC Candidate List)

Misc. Information (Recommended)

Cable Stripping Dimensions (Conductor/Dielectric/Braid)	3.0/ 1.5 / 7.5 mm	
Assembling Method	Inner Contact	Solder
	Ferrule	Crimp (HEX .187")
Recommended Hand Tool	Inner Contact	N/A
	Ferrule	HT-909R
Cable Group	B1855A; B4855R; UHD-0.6/2.6	
Weight	6.77g	
Packaging	Single Pack	
Location of Manufacture	Taiwan	

Revisions

ISS	Description	DATE
A	Original	2017/07/04